

Band	806-960 / 1710-2170
Polarization	X / X
Half-power Beam Width	65°



Model: XX65-891721RTDHW

Electrical Specifications

Operating Frequency Band ,[MHz]		806-960		1710-2170		
Frequency Range ,[MHz]		806-894	870-960	1710-1880	1850-1990	1920-2170
Polarization , [degrees]		±45		±45		
Gain [dBi]		16.9 ±1.0	17.2 ±1.0	15.9 ±1.0	16.4 ±1.0	17.0 ±1.0
Horizontal Beam Width ,[degrees]		63 ±5	60 ±4	63 ±7	60 ±7	57 ±5
Front-to-Back Ratio (180°±30°) , [dB]		≥25	≥25	≥24	≥25	≥25
Cross Polar Discrimination	Boresight ,[dB]	≥15		≥15		
	Sector ,[dB]	≥7.8		≥6.6		
Vertical Beam Width ,[degrees]		7.6 ±0.7	7.1 ±0.6	6.3 ±0.6	5.9 ±0.6	5.5 ±0.6
Adjustable Electrical Downtilt		0°-10°		0°-10°		
Sidelobe suppression for first sidelobe above main beam ,[dB]		≥14	≥14	≥15	≥15	≥15
VSWR		≤1.5		≤1.5		
Isolation [dB]	Cross Polar			≥30		
	Port to Port			≥40		
3rd Order PIM@2x43dBm		≤-150dBc		≤-150dBc		
Maximum Input Power		500W		250W		
Impedance		50Ω				
Lightning Protection		DC Ground				

Values based on NGMN-P-BASTA(Version 9.6) requirements

Mechanical Specifications

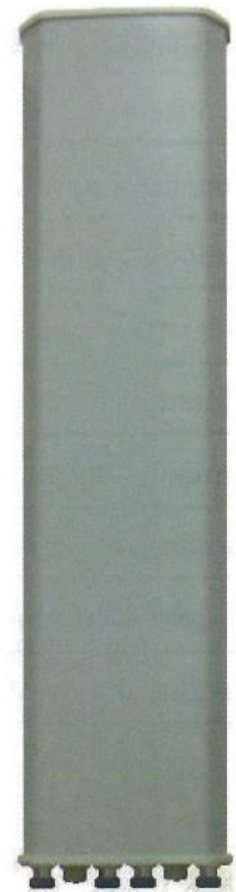
Radome Material	Fiberglass / UPVC
Connector Type	7/16 DIN Female x 4
Mounting Hardware	
Mast Diameter Adjustable	φ 50mm - φ 115mm
Mechanical Downtilt Angle	0° - 15°
Operating Temperature Range	-40°C~+65°C
Operating Humidity	0 - 95%RH @+30°C
Enclosure Protection	IP55
RF Connector Protection	IP67
Wind Load (Front / Lateral / Rear)	1030N / 519N / 1030N (at 150km/h)
Wind Velocity	200 km/h
Weight	≤24.5kg
Dimension (Length x width x depth)	2560mm x 270mm x 136mm

Packed Dimensions

Weight	≤31.5kg (Included mounting bracket)
Dimension (Length x width x depth)	2830mm x 380mm x 230mm

RET Informations

Condition	External	
Protocol	3GPP / AISG 2.0	
Input Voltage	10 - 30 V	
Power Consumption	< 1W (Idle state) < 8.5 W (Motor activated)	
Number of Interface	Single RET	-
	Multi RET	-

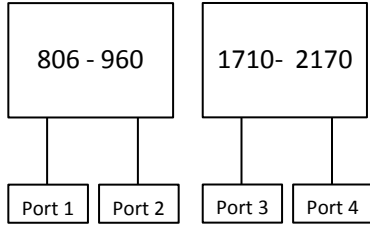


Band	806-960 / 1710-2170
Polarization	X / X
Half-power Beam Width	65°

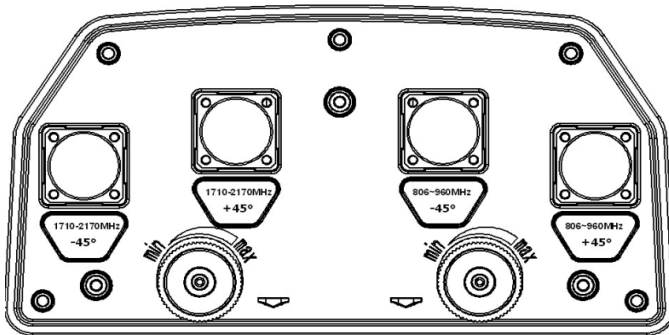


Model: XX65-891721RTDHW

RF Port Diagram

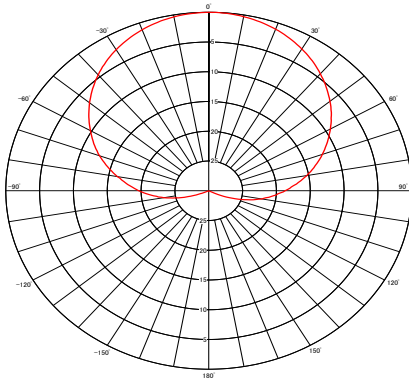


Layout of Interface (Antenna bottom view)

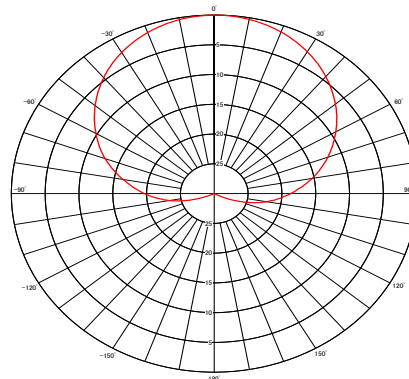


Horizontal Plane Radiation Pattern

900MHz

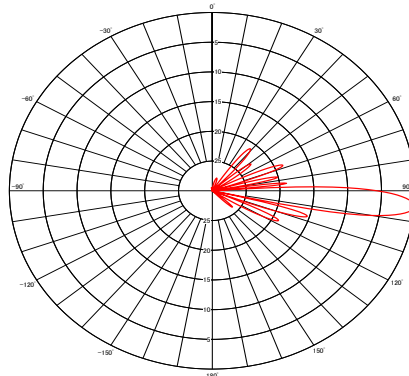


2100MHz



Vertical Plane Radiation Pattern

900MHz



2100MHz

